

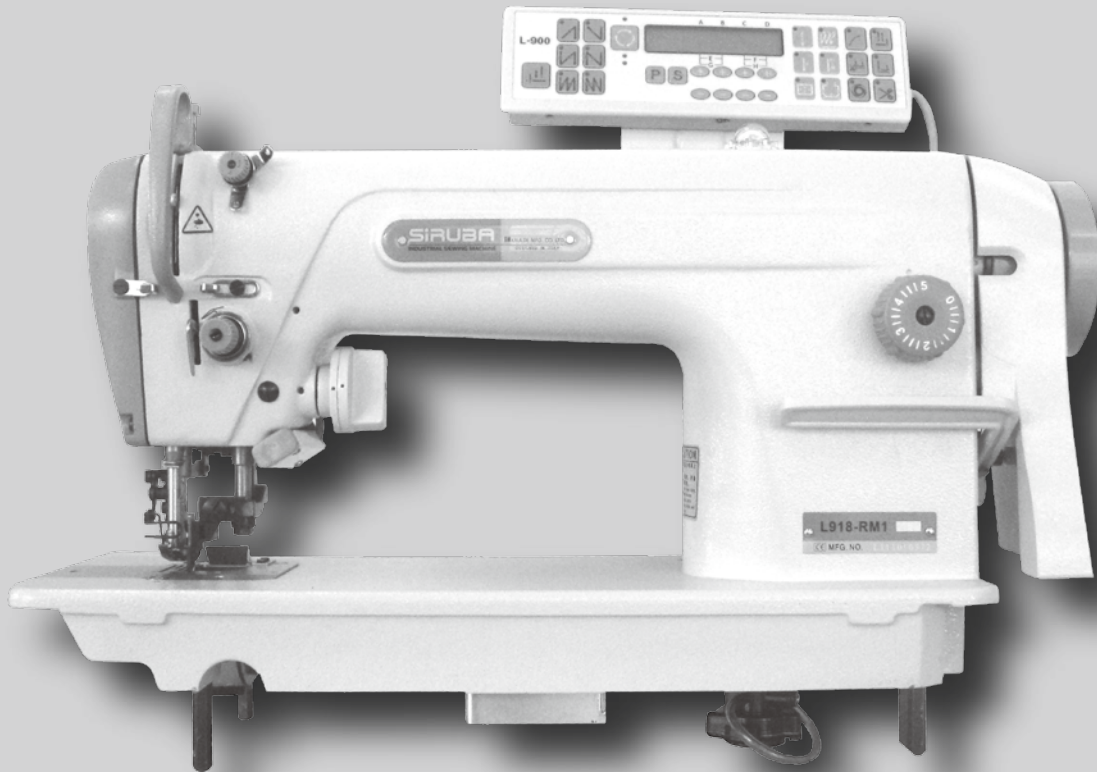
SIRUBA®

銀爺牌工業用縫紉機

INDUSTRIAL SEWING MACHINE

L918-RM

零件圖 PARTS LIST



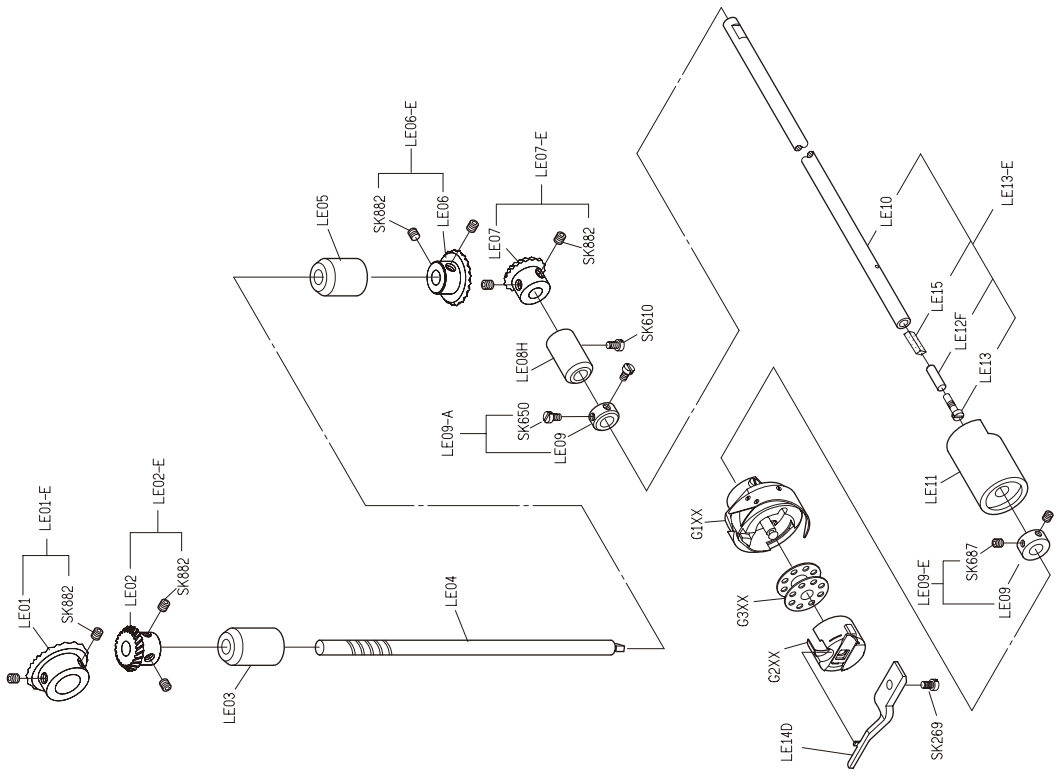
CE



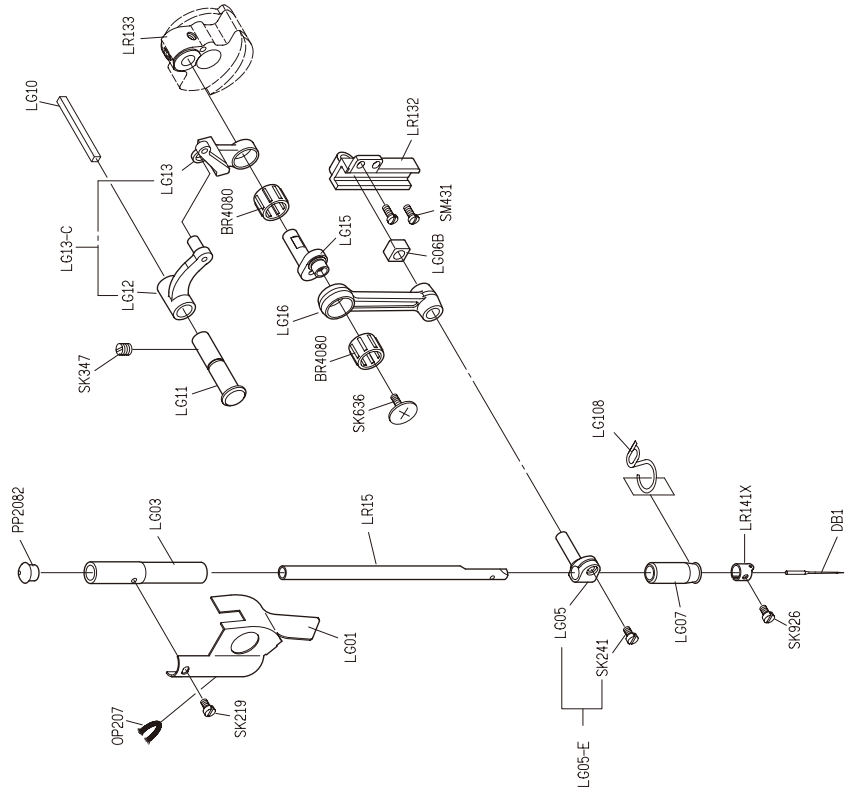
高林股份有限公司
KAULIN MFG. CO., LTD.

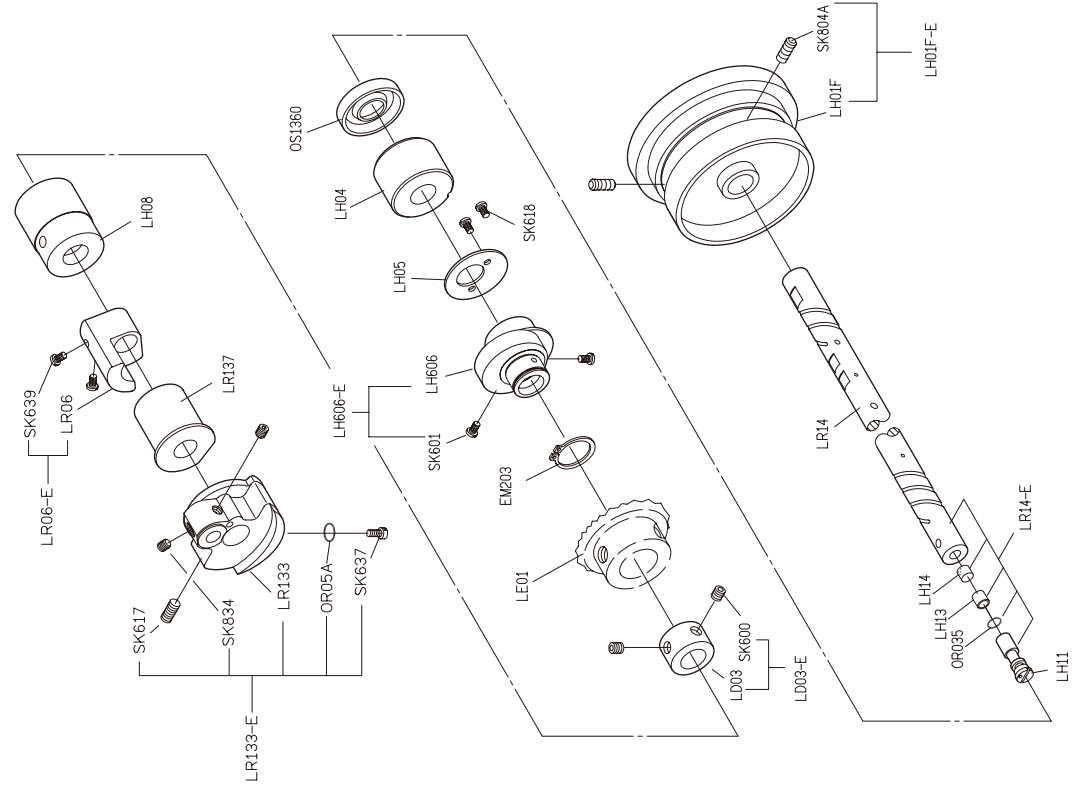
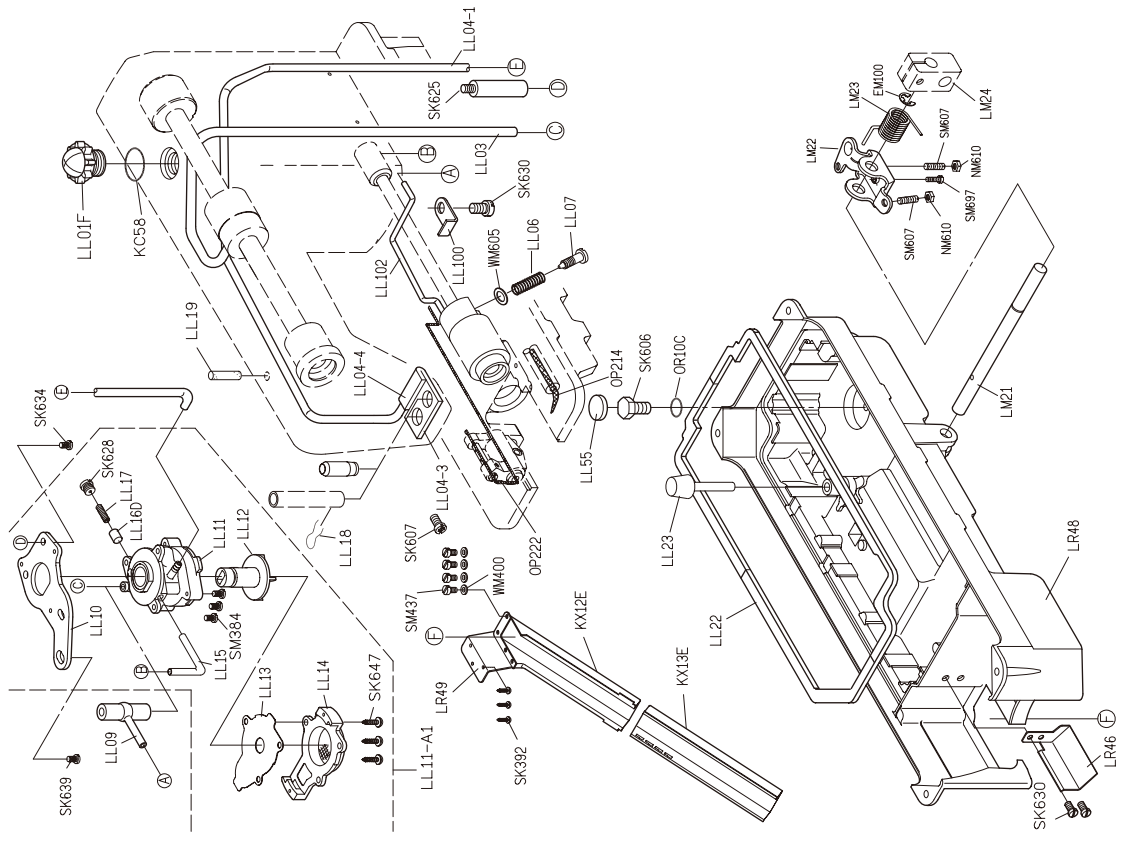
| MODEL 機型 | SUB-CLASS 規格 | GAUGE WIDTH 切邊距離 | NEEDLE PLATE 針板 | FEED DOG 送具 | PRESSER FOOT 押具 | HOOK ASM 梭頭 | BOBBIN CASE ASM 梭殼 | BOBBIN 梭子 | THROAT PLATE CHIP GUARD 下導布架 | NEEDLE 針號 | THREAD GUIDE 導線片 | THROAT PLATE COVER 布板蓋 |
|-------------|-----------------|---------------------|--------------------|----------------|--------------------|----------------|-----------------------|--------------|---------------------------------|--------------|---------------------|---------------------------|
| L918-RM1-32 | 32 | 1/8" (3.2mm) | E705Q | D705 | P705 | G111 | G201 | G301 | LR254D | DBX1#14 | LR141S | LR106 |
| L918-RM1-40 | 40 | 5/32" (4.0mm) | E705R (E705Q) | D705 | P705 | G111 | G201 | G301 | LR254D | DBX1#14 | LR141S | LR106 |
| L918-RM1-48 | 48 | 3/16" (4.8mm) | E705 (E705Q) | D705 | P705 | G111 | G201 | G301 | LR254D | DBX1#14 | LR141S | LR106 |
| L918-RM1-64 | 64 | 1/4" (6.4mm) | E705S (E705Q) | D702 (D705) | P701 (P705) | G111 | G201 | G301 | LR254 (LR254D) | DBX1#14 | LR141 (LR141S) | LR106S (LR106) |
| L918-RM1-95 | 95 | 3/8" (9.5mm) | E705T (E705Q) | D702 (D705) | P701 (P705) | G111 | G201 | G301 | LR254 (LR254D) | DBX1#14 | LR141 (LR141S) | LR106T (LR106) |

PARTS LIST FOR LE GROUP



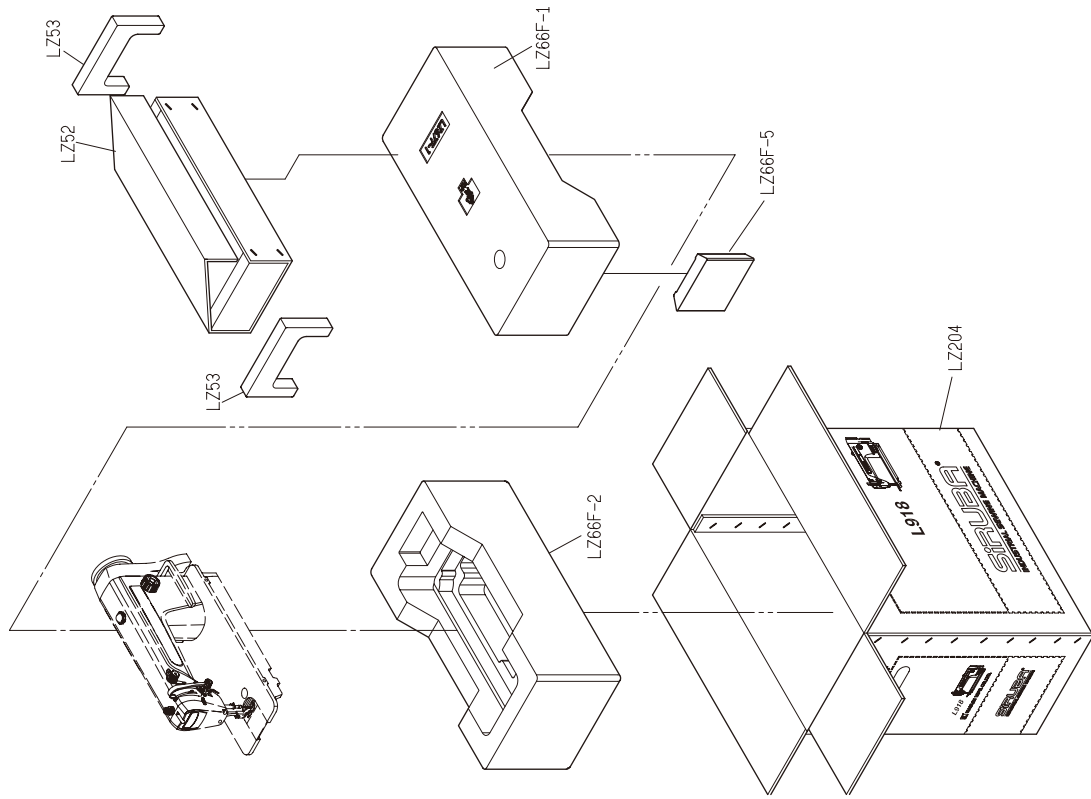
PARTS LIST FOR LG GROUP





PARTS LIST FOR LH GROUP

PARTS LIST FOR LL GROUP





L918-RM

高林股份有限公司 KAULIN MFG. CO., LTD.